

SMART COMMAND ELECTRONIC HOB MOUNTED OUTLET ROUGHING KIT

by **CAROMA**

PLUMBERS INSTALLATION INSTRUCTIONS - CONTROL BOX

Control Box Mounting Instructions:

- 1) **Remove control box cover:** Using a phillips head screwdriver, remove cover retaining screw. Apply a light force to the small button underneath and gently lift off cover (Fig.3). With the cover removed you can see a hexagonal brass nut. Remove this nut and replace it with enclosed solenoid.
- 2) **Determine location & fasten control box to wall:** Control box should be located within 300mm from the wall outlet. Attach control box to wall using 4 supplied wall plugs & screws (Fig.4).
- 3) Connect power supply to a 240VAC, 10A GPO.
Ensure that supply of power has been isolated.

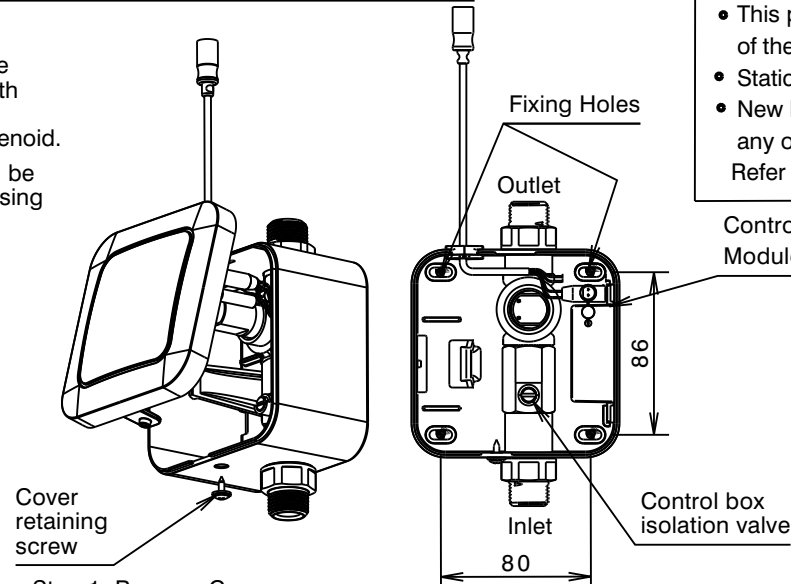
The power outlet should be located no more than 300mm from the control box when using the standard cable.
If a longer separation is required, please use optional extension cable (98454) to extend the distance up to a maximum of 2.2 meters.

- 4) **Connect cables to controller:** Remove split strain relief from box & connect Power Supply cable to Control Module as shown in Fig. 2. Then connect Control Module to Tap Sensor Cable and Tap Sensor Cable to Solenoid. Open the relief and pass Power Supply cable and Tap Sensor Cable through. Wind up any excess Power Supply cable and store inside the control box. Re-insert the strain relief and ensure that power, sensor, solenoid and module cables are connected and secured (Fig.2).
- 5) Flush the inlet and outlet lines before connecting to the Control Box. Then connect inlet and outlet lines.
- 6) **Commissioning Procedure:**
 - a) Turn on mains water supply & check for leaks at both ends of the mains supply hose.
 - b) Open the control box isolation valve and check for leaks at the remaining connections.
 - c) Re-attach cover and fasten with retaining screw.
 - d) Power on the device at the GPO and allow the unit to complete the calibration sequence as follows:
 - 1) The indicator LED starts blinking.
 - 2) The indicator LED will turn off for 2 to 3 seconds performing calibration then a small amount of water will discharge.
 - 3) The unit is now ready to operate.
 - e) Test operation by placing hands under the sensor (within 100mm from outlet of spout). Water should flow within 0.5 seconds. Remove hand and the water supply should stop within 2 seconds.

IMPORTANT:

Please refer to Operation Manual (IS 1683) to configure wireless communication and change the device default settings. The valve requires connection to electrical power, if there is a power failure the valve will close and it will not operate until power is restored.

IMPORTANT
<ul style="list-style-type: none">• This product complies with the Lead Free requirements of the National Construction Code Volume Three.• Static Inlet pressure range : 150 - 700 kPa.• New Regulation : 500 kPa maximum static pressure at any outlet within a building. (Ref. AS/NZS 3500.1) Refer to side 1 of this instruction for wall outlet installation.



Step 1: Remove Cover & Install Solenoid
Fig. 3

Step 2: Mounting Holes
Fig. 4

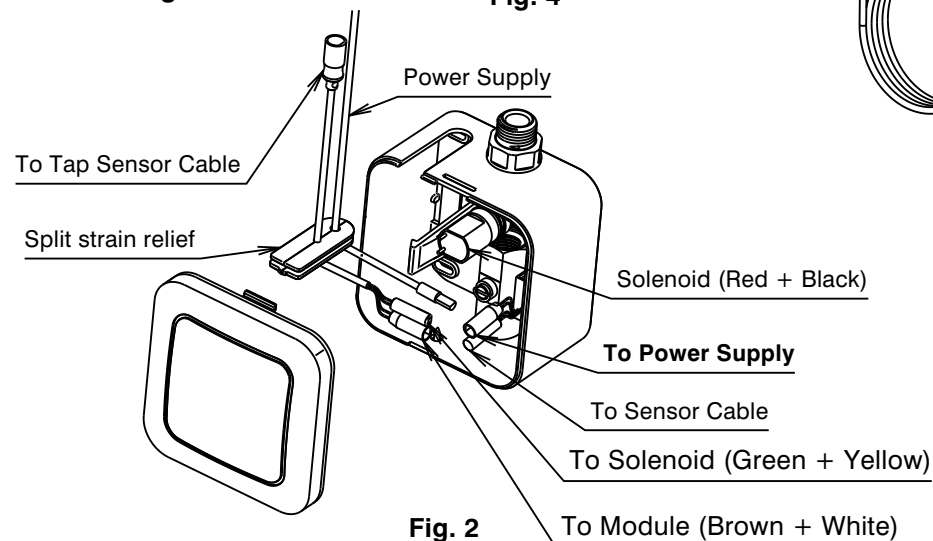


Fig. 2

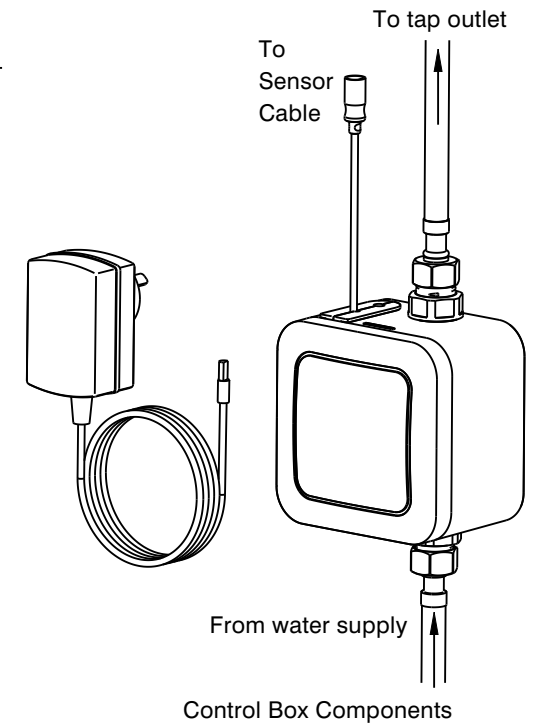


Fig. 5